

# Sectional Garage doors

Perfect match for all garages



**alpha** opening doors everywhere





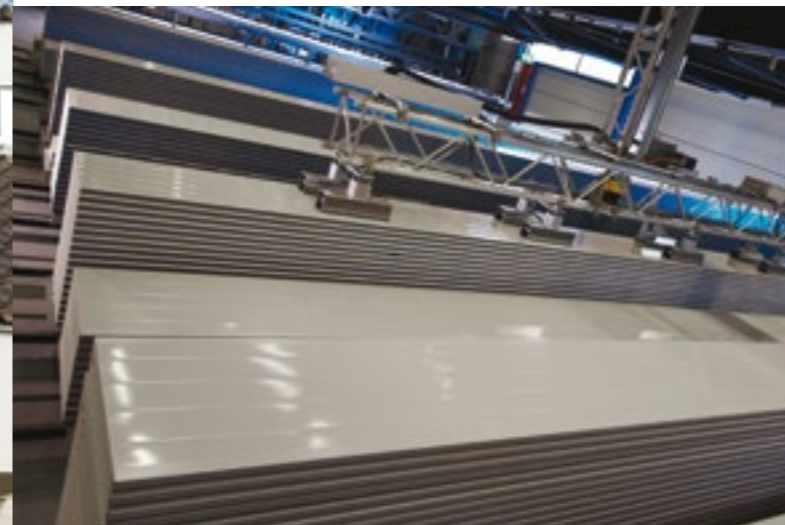
## Our doors are always open

Alpha Doors International opens up a world of opportunity when it comes to industrial sectional doors. An Alpha door stands out from all other doors – their design, working, the detailing and their versatility. Alpha Doors are distinctive, dependable and durable, a fine example of the innovative strength you've come to expect from Alpha Doors, where our doors have been open to you.



# Fully certificated safety

Individual and universal



### Quality in every detail

At Alpha we don't think in terms of doors, but in terms of solutions. It is your specific requirements and wishes that are at the forefront of the design and manufacturing process, resulting in doors characterized by their quality and individuality, right down to the smallest detail. These are the doors the market demands and that can be found in any sector and building. In fact, wherever you go you're likely to run into an Alpha door.

### Active worldwide

Alpha Doors means high-tech production facilities, a full and high-quality delivery system, a service-oriented approach and very competitive prices. Alpha Doors offers all-in packages that attract and retain an ever-increasing number of designers, builders and entrepreneurs. Our clients, who are located in over 30 countries worldwide, feel at home at Alpha and we always give them a warm welcome. Because our doors are always open.



## All-in-one design

**Modern door concept — high quality — optimum performance**

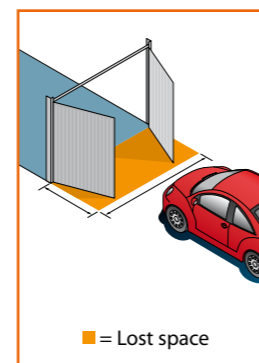
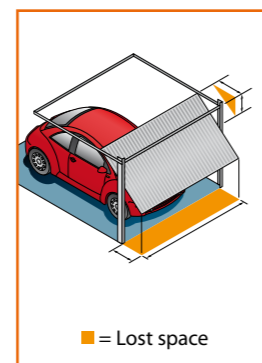
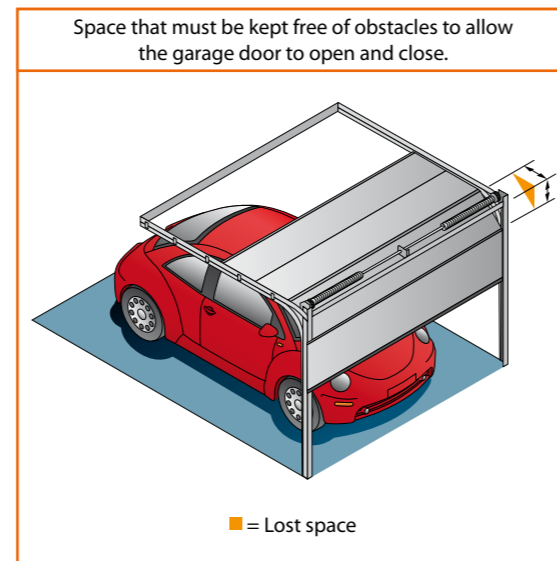
**extensive colour range — perfect match for all types of garage**

Attractively styled sectional doors are increasingly displacing traditional up-and-over and hinged garage doors in modern architecture and residential construction.

Our sectional garage door is a modern, wellinsulated and easy-to-operate concept that is available in seven panel types. Innovative design of the door components makes this door inherently safe in operation.

The risk of catching fingers between parts or of the door leaf dropping down uncontrollably has been minimised. The sectional design also creates extra usable space inside and in front of the garage, as the door opens vertically and closely follows the line of the wall and roof in this configuration.

Our sectional doors are made to measure and can be personalised to suit your exact requirements. For a perfect fit and styling that perfectly complements your home...



## Panels for all types of home

### ISO and ALU garage door panels

#### Door leaves made up of ISO panels

In the case of ISO garage door systems, the door leaf is constructed from ISO sandwich panels. The garage door is always made to measure.

The panel is cut to length to suit the width of the garage door opening.

We use insulated sandwich panels to manufacture the door leaf. This panel consists of two steel outer skins that enclose a high density foam core.

The CFC-free polyurethane foam core is securely glued to each of the galvanised steel skins. The visible surfaces of the steel skins are coated with a high-quality paint. The panels are laid horizontally one above the other and attached to each other by hinges. The top and bottom faces of the panels are specially shaped to minimise the risk of catching fingers as the door leaf opens and closes.

This quality product is highly weather-proof and corrosion-resistant.

When developing the panel, no concessions were made in terms of the choice of materials, sheet thickness and the type and density of PU foam.

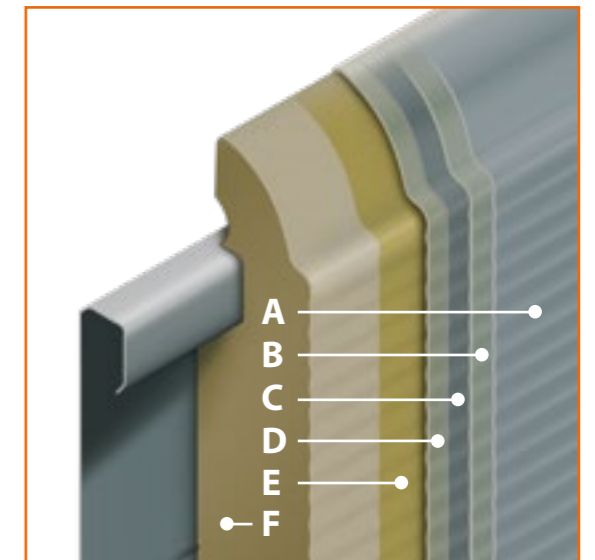
Panel thickness: 40 mm

Insulation value:  $k = 0.59 \text{ W/m}^2\text{K}$

Density PU foam: ca.  $40 \text{ kg/m}^3$

Thermal conductivity:  $\lambda = 0.025 \text{ W/mK}$

Sound insulation:  $R'w 26 \text{ dB}$



#### ISO panel "sandwich" construction

A. Paint layer: in six standard colours and seven panel styles

B. Zinc coating:  $275 \text{ g/m}^2$

C. Steel sheet: 0.5 mm

D. Zinc coating:  $275 \text{ g/m}^2$

E. Primer coating

F. PU high density foam:  $g = 40 \text{ kg/m}^3$ , CFC- and HCFC-free

The basic design and construction principles are based on our experience in manufacturing industrial and commercial sectional doors. The trim profiles and tracks are accordingly robust and corrosion-resistant. All these characteristics combine to make our sectional garage door a high-quality, hard-wearing product that not only improves the appearance of a home but also saves energy and reduces maintenance bills.



These products are made using the latest manufacturing techniques and have been certified by TÜV NORD.

This trendsetting design of garage door lends itself best to modern architectural styles. Its construction meets all current technical requirements in terms of

safety standards and ease of operation. Sectional garage doors can be operated either electrically or manually.

The sectional garage door; your garage door and the garage door of the future ...



## ISO doorleaf and colour range

### A sectional garage door with panel styles

Sectional garage doors made of ISO panels are available in seven different external panel styles. The panel skin on the inside of the door is painted to RAL 9002. The panels are available in heights of 488 mm or 610 mm. Any door opening height can be catered for as the door leaf is built up using a combination of both panel heights and finished with an appropriate top profile.

The top panel does not have to be cut to size. This improves the stability and strength of the top panel.

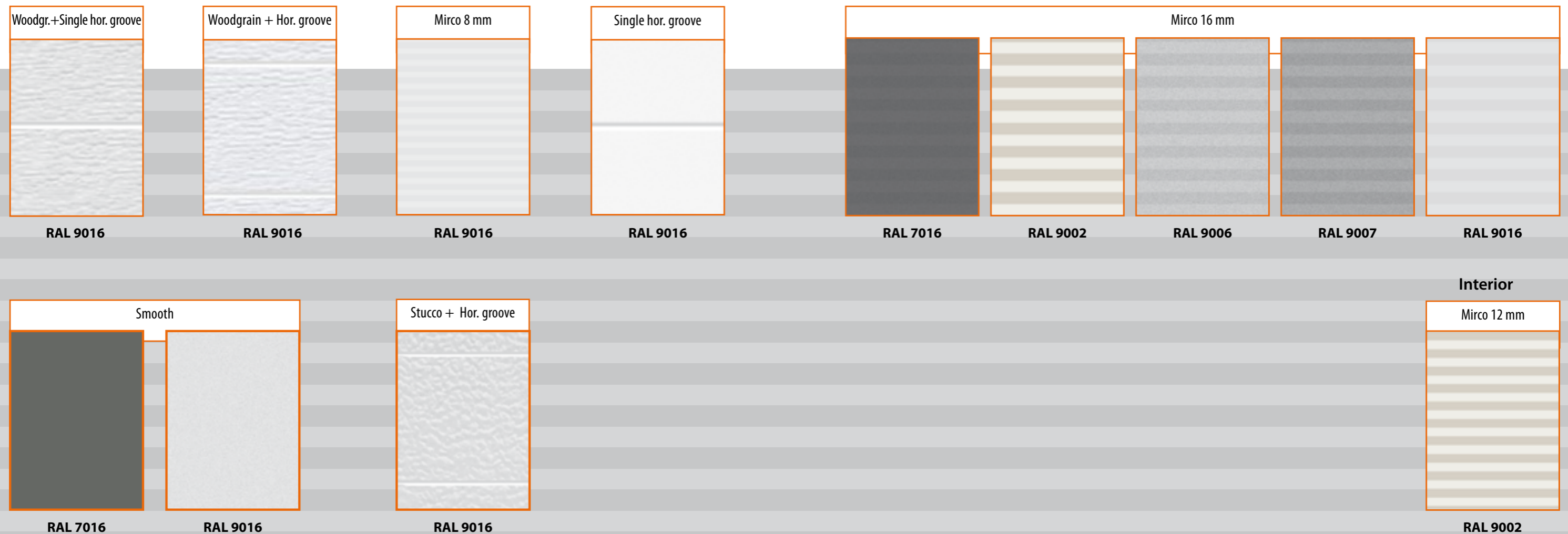
### Harmonious colours to match your home

Our sectional garage doors are available in a wide range of colours that can be chosen to match the colour scheme of your home. ALPHA has standardised on one or more colours for each type of door leaf. However, the door leaf can be ordered in a different colour if required. Customers can choose from an extensive range of RAL colours. Dark colours are to be avoided as exposure to sunlight can lead to panel deformation and deterioration of the foam core. The paint is applied to the panel in liquid form using a spray technique and provides extra protection for the sectional garage door.

### Colour shades



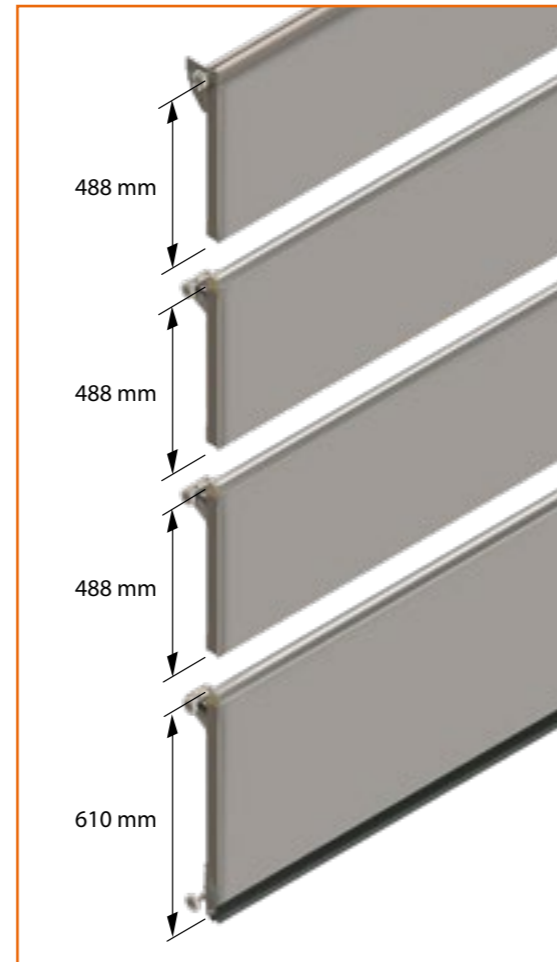
The way a colour is perceived after application to the panel is dependent on the substrate and the way in which the paint layers have been applied. It is also possible to supply the panels in special colours, even if these colours have been specified using a non-standard colour system. When colour samples are supplied, the colour is approximated as closely as possible within the RAL colour system.



## Doorleaf

Gaps between the door leaf and the door lintel can be compensated for by using top profiles of varying heights. The top profile for ISO door leaves is available in heights of 32, 62 and 92 mm. A top profile with a micro-rib finish on the external face is used in combination with microrib profiled door leaves. The aluminium profile on the bottom edge of the door carries the bottom rubber seal. This profile has been designed to be invisible when the door is viewed from the outside.

All the aluminium edge and trim profiles that are visible from the outside of the door are anodised and sprayed in the same colour as the door leaf. This ensures that all the elements of the door leaf have a uniform appearance.



## Track system

The track system is unique in terms of profile, choice of materials and finish. Operator safety, durability and reliability were primary considerations when designing the track systems. As you would expect all the materials used are galvanised to stringent standards. All the track joints use nut and bolt fixings. This speeds up installation and is easy to maintain... All the tracks are manufactured in house to our own designs. A great deal of thought has been put into the production process.

The materials used and the design of the rollers ensure precisely controlled door movements with a minimum of noise nuisance. This design of roller has proved its reliability in the arduous environments found in industrial and commercial buildings. Making it an obvious choice for use in our sectional garage doors.

Design optimisation is a dynamic process that is driven by the demands of practical applications. This has resulted in a track profile shape that offers added protection against injury. The steel cables are also guided inside the track profiles.



32 mm



62 mm



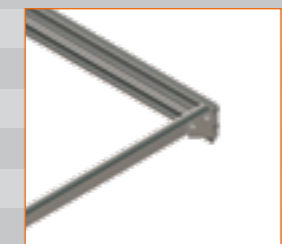
92 mm

The steel cables are also guided inside the track profiles.

Three variants of the track system are available. The main difference between the three variants is the position of the torsion spring assembly.

The choice of track system depends on the amount of headroom available above the lintel. The lintel is the beam that runs across the top of the garage door opening. If there is only limited headroom available in your garage, the low headroom variant where the torsion spring assembly is mounted at the rear of the horizontal tracks will need to be used.

Additional pulleys are provided in order to guide the wire cables correctly. In cases where there is adequate headroom above the lintel, the track system variant with the torsion spring assembly above the door leaf can be used.



# Installation dimensions

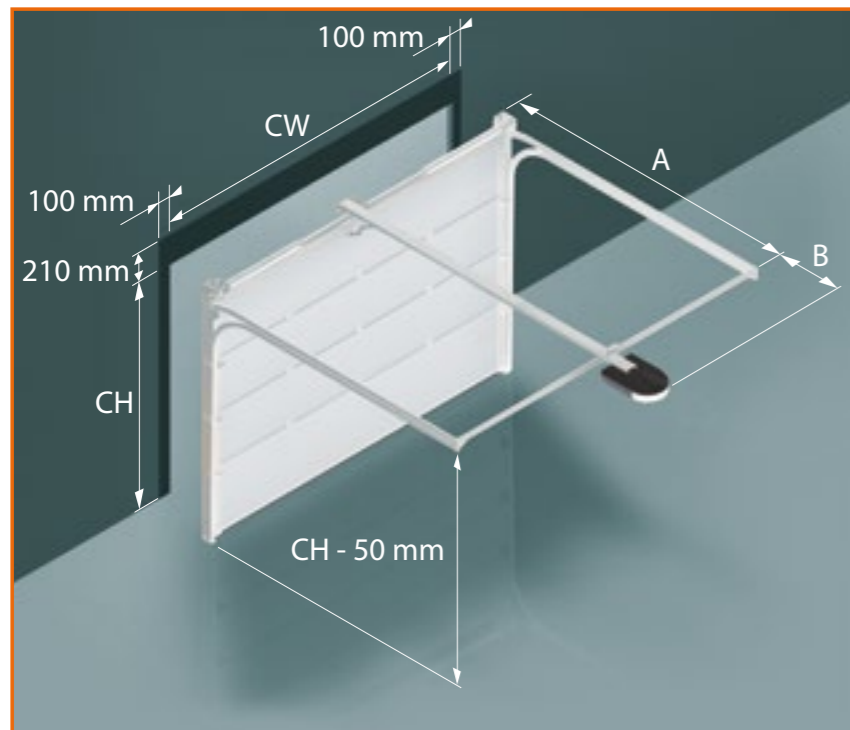
The installation space required for the horizontal tracks depends on the clear opening height and the type of operation (manual and/or electric drive). Installation dimensions can be calculated from the illustration/s below.

NB: CH = the clear opening height when the door is in the fully open position.



## GD 210

Normal track system with torsion spring/s above the door leaf



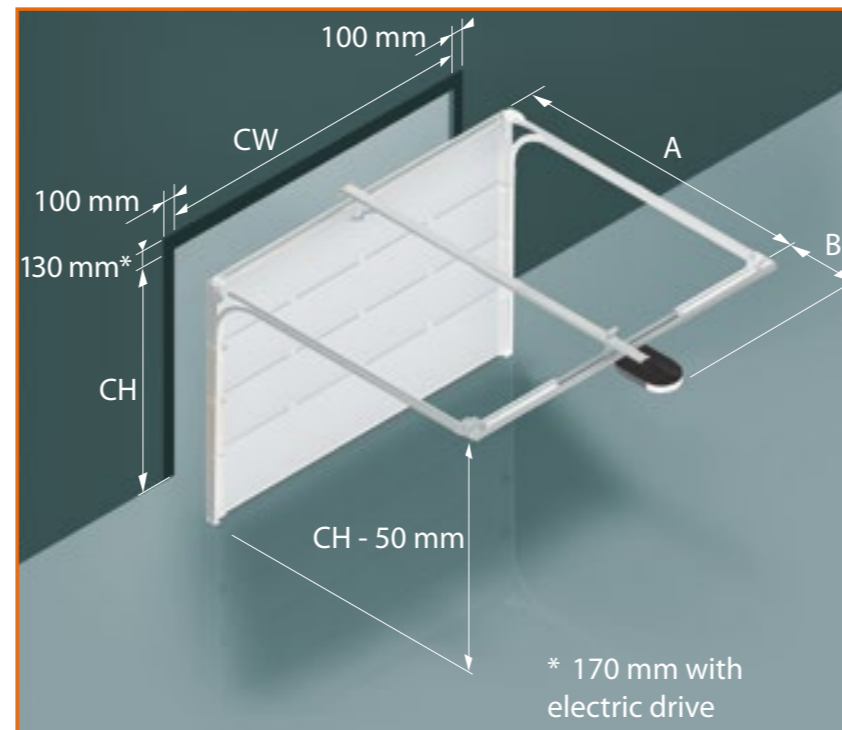
### Installation criteria

- Side-room requirements for vertical tracks left and right = 100 mm per side
- Minimum headroom = 210mm
- Clear opening height (CH) = structural height less 150 mm for manual operation
- Clear opening height (CH) = structural height for electric operation

CH	A	B
≤ 2250 mm	2750 mm	570 mm
> 2250 - ≤ 2500 mm	3050 mm	570 mm
> 2500 mm	3450 mm	930 mm

## GD 130

Low-headroom system with rear mounted torsion spring/s



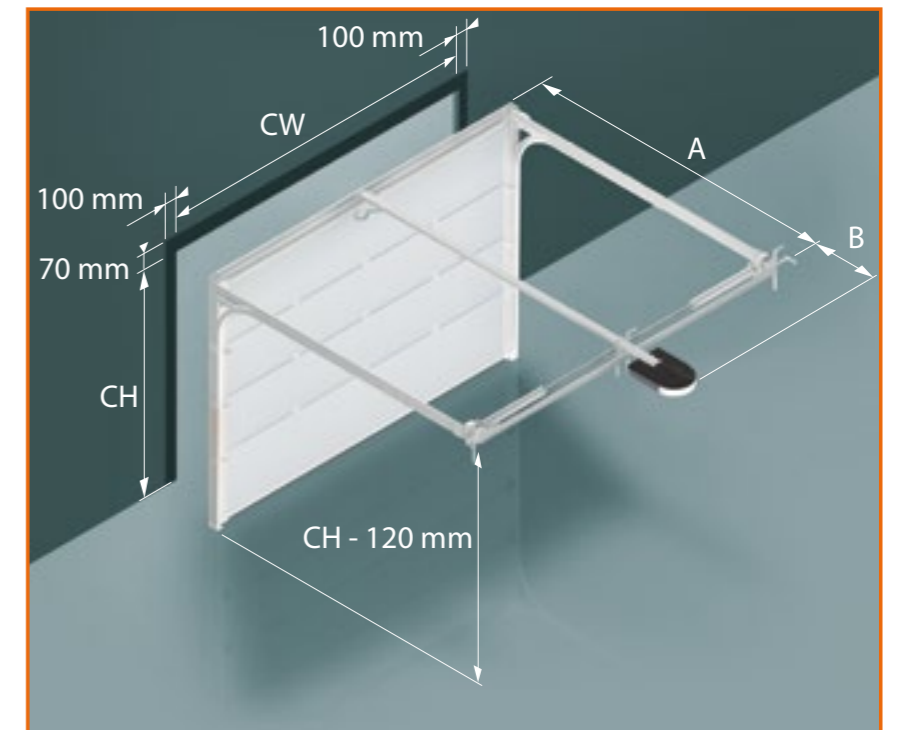
### Installation criteria

- Side-room requirements for vertical tracks left and right = 100 mm per side
- Minimum headroom: 130 mm required for manual operation 170 mm required for electric operation
- Clear opening height (CH) = structural height less 150 mm for manual operation
- Clear opening height (CH) = structural height for electric operation

CH	A	B
≤ 2250 mm	2900 mm	420 mm
> 2250 - ≤ 2500 mm	3200 mm	420 mm
> 2500 mm	3600 mm	780 mm

## GD 70

Low-headroom system with rear mounted torsion spring/s - this system is only available with operator



### Installation criteria

- Side-room requirements for vertical tracks left and right = 100 mm per side
- Minimum headroom only 70mm\*
- Clear opening height (CH) = structural height less 120 mm
- \* NB: 70 mm headroom: clear opening height will reduce by 120 mm

CH	A	B
≤ 2250 mm	2900 mm	420 mm
> 2250 - ≤ 2500 mm	3200 mm	420 mm
> 2500 mm	3600 mm	780 mm

## Rubber seals

Energy, safety and environmental aspects play an ever greater role in today's society. The demands placed on proper sealing are becoming increasingly severe as energy concerns continue to grow. We have developed special seals for our sectional garage doors, which offer maximum protection against the influence of unfavourable weather conditions (moisture, draughts). The seals contribute significantly to door insulation performance.

The outer and inner panel skins are thermally separated by a high-density foam core. This design gives the door impressive thermal insulation and sound-deadening properties. And reduces costs. The type and shape of the materials used to seal around the periphery of the door prevent rainwater and draughts entering through the clearance gap between the door leaf and the opening support structure. The tracks are fitted with special UV-resistant rubber seals that were developed exclusively for our sectional garage door.

The materials used and the robust size and strength of all the door components make our design of sectional garage door capable of withstanding high wind loads. All our products have been tested by TÜV NORD. If requested to do so, we can supply certificates and test reports to substantiate the door performance values we claim.



## Safety & Certification

The standard for the future – fully compliant with the EN13241 norm Operator safety was one of our main priorities when developing the sectional garage door. As a result, our design of sectional garage door is equipped with countless innovative features that guarantee your safety.

### Spring break safety

The use of an "intelligent" torsion spring system minimises the effort required to open and close our sectional garage door. The door is also immobilised immediately if one of the springs breaks. This prevents the possibility of injury resulting from uncontrolled closure of the door.

### Obstacle detection when closing the sectional door

The electric drive detects a change in load when the sectional garage door hits an obstacle when closing. The door stops immediately and the drive reverses in order to open the door again. This safety feature minimises the risk of damage to the garage door or to an obstacle in the door opening. All our sectional garage doors are supplied with TÜV NORD certification. As you would expect, our sectional garage doors have also been subjected to demanding endurance tests. The test doors were operated for 30,000 cycles before being evaluated by expert engineers. Every door system we manufacture complies with the EN13241 norm.

### Certification

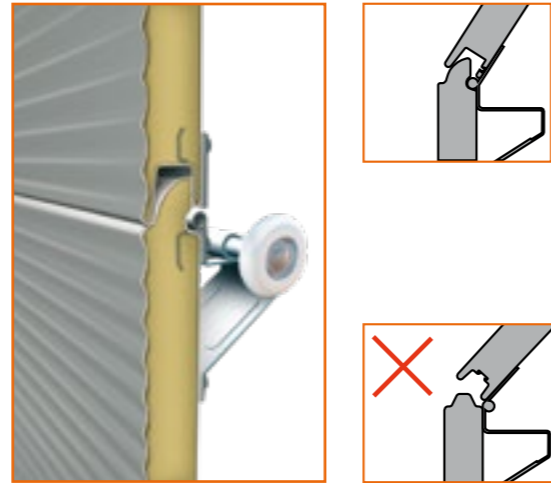
Garage doors must be constructed in accordance with the EN13241 norm. The norm describes the legal requirements that sectional garage doors must satisfy. Amongst other things, sectional garage doors are assessed on their; Resistance to wind load, resistance to water ingress, draught-proofing, sound insulation, thermal insulation and safety of use. A classification is indicated for all these criteria based on tests carried out by TÜV NORD. This makes it easier to compare equivalent products proposed by different manufacturers. Each sectional garage door is supplied with a label indicating the classifications that apply for the door concerned. One should be seriously concerned if sectional garage doors designs are unable to better a 0 classification in all the categories...



## Safety

### Finger-pinch protection between the panels

The risk of getting your fingers trapped between the panels as the door opens and closes is negligible with our design of sectional garage door. The door panels are innovatively shaped at the top and bottom. There is almost no gap between the panels as they hinge open and closed during door movement.



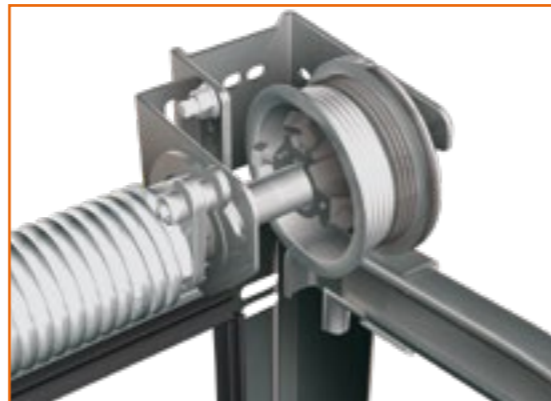
### Accurately guided, low-noise door movement

The door leaf is guided by rollers that run in a precisely formed track system. The track profiles have been specially shaped to prevent the rollers from jumping the tracks. The rollers feature plastic wheels, which ensure low-noise operation. The track system is fully enclosed on three sides and specially designed to offer extra protection against injury to fingers and hands.



### Wire cable integrated in the vertical tracks

The wire cables, which are part of the weight compensation system, are cleverly guided inside the vertical tracks. This construction offers extra protection against injury.



### Effortless operation and maximum convenience

The weight compensation system balances the weight of the door throughout the opening and closing cycles. This means that the door leaf will remain in position even when only partially opened.



## Windows and glazing

### High quality, highly functional efficiency and excellent insulation

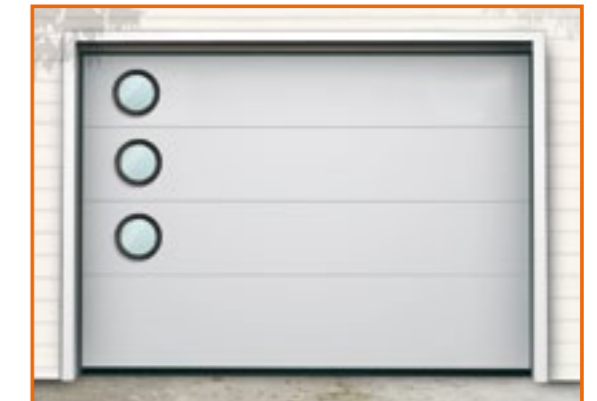
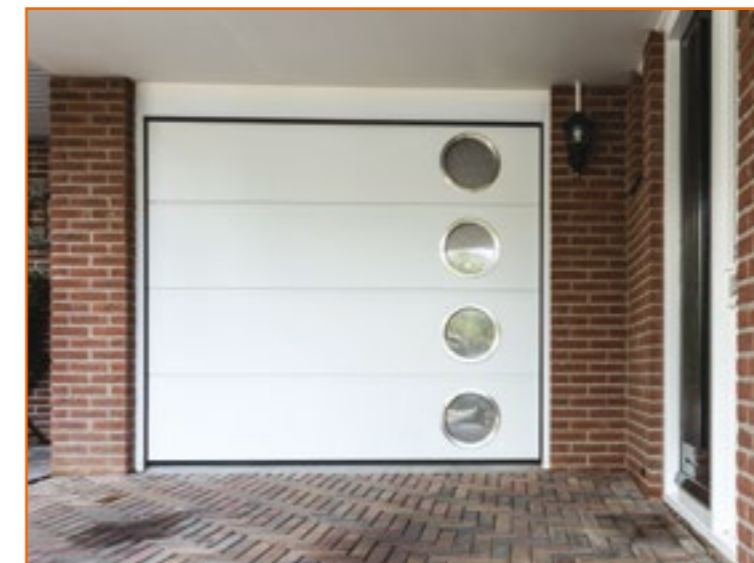
Our sectional garage doors can be fitted with windows or glazed sections for extra natural light and vision, or simply for visual effect. The window variants are doubleglazed and offer excellent insulation performance.

Two types of window are available. In terms of the choice of material and insulation performance, both types of window are based on our experience in manufacturing sectional doors for industrial and commercial applications.

### Design

The decorative round window can be used to create unusual effects and patterns in the door leaf. The elegant stainless steel window trims enhance the designer look of the door leaf.

Specifications	Black pvc window	Stainless steel window
Window frame material	Moulded black plastic	Stainless steel
Pane design	Double pane	Single glazing
Cross-section	ø 325 mm	ø 330 mm
Pane thickness	2 – 25 – 3 mm	6 mm
Insulation value	k = 2,8 W/m²K	k = 5,6 W/m²K
Transparency	100 %	100 %





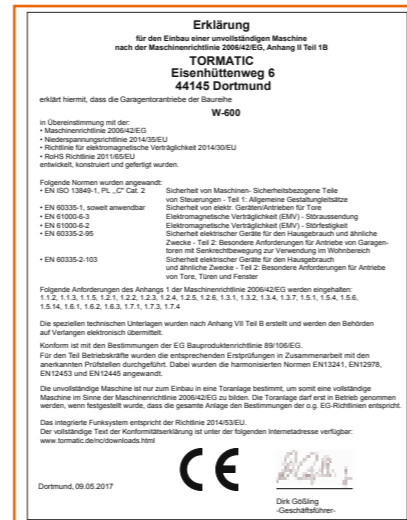
# Operators W-600

## High class technology and modern design

The TORMATIC W-600 operators stand out due to a modern design and high class technology. They convince with a contemporary LED light technology, high stability and maximum performance. Optionally, an additional 1.6 W LED board can be adjusted. Of course, the operators are equipped with the approved TORMATIC 3-button programming and an integrated force control. Due to the adjustable Soft-Start and Soft-Stop, the operators guarantee the optimal running of the door.

## At a glance

- Certified CE
- Operator sets for up-and-over and sectional doors
- Suitable for doors up to 10 m<sup>2</sup>
- Combinable with all rails by TORMATIC
- Additional 1.6 W LED board can be retrofitted (optionally)
- Automatic close function can be adjusted



## Variable accessories

The extensive accessory program offers the accordant products for all requirements. Radio systems, safety elements or further impulse generators – the products by Tormatic are enlarged by many functions.

## 3-button programming

The renowned 3-button programming by Tormatic leads you clearly and quickly through all menu points. Due to the fast programming of the operator, you will save time and money. The menu navigation of all operators is the same.

## LED lighting

Due to the new 0.4 W LED lighting elements, the power consumption of the operator has been decreased significantly. The long life cycle of the LED lighting saves the inconvenient changes of bulbs. Optionally, an additional 1.6 W module can be mounted.

## The rail

The redesigned and optimized rails are made of less steel and offer the wellknown, usual Tormatic quality. The new profile guarantees the high stability of the construction. The rails are available as chain track or toothed belt versions.

Technical data	W-600
Push & pull force	600 N
Mains supply	230 V / 50 Hz
Operating voltage	24 V / DC
Power consumption	160 W
Stand-by power consumption	< 0,5 W
Running speed	15 cm/s
Duty cycle	30 % ED
Temperature	- 20° C / + 60° C
Control unit	Micro-processor controlled Soft start / Soft stop Automatic close
Control sequence	1st impulse = Operator starts 2nd impulse = Operator stops 3rd impulse = Inversion of direction
Radio control	433 MHz, KeeLoq rolling code
Lighting	1,6 W LED
Lighting during operation	60 sec. factory-set



## The set

- Motor head (W-600)
- Fitting for up-and-over and sectional doors
- Design Transmitter

## The comprehensive range of accessories

Not only high standards are met but there is also a particular focus on comfort and safety. Discover Tormatic's renowned quality, in which you can trust every day.



## Transmitters

MAX 43-4 (4-channel), MAX 43-2 (2-channel), Design Transmitter (3-channel)  
The transmitters and impulse generators work with 433 MHz and KeeLoq rolling code.

## Safety

Light Beam LS 5 Integrated, 2-wires, range 8 m, IP 45, 20-28 V AC/DC  
Emergency release: For double wing doors, with safety profile half cylinder

## Impulse generators

Digicode premium: External radio touch contact with metal keyboard  
Duocontrol: Internal radio touch contact, 4 minutes light, combinable with UHF KeeLoq transmitters

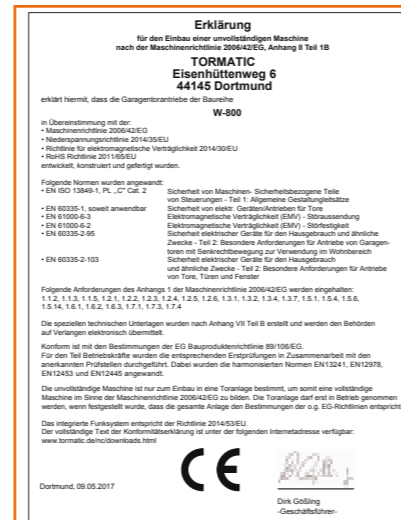
# Operators W-800 / WB-800

## The NRG operators by TORMATIC – extremely fast and energy-saving

The NRG garage door operators by Tormatic combine latest technology with contemporary energy efficiency. Normally, an operator is only used a few minutes a day. 99 % of the time, the operator is in the stand-by mode and spends power. The stand-by consumption of the NRG operators is less than 0.5 W. In comparison to available DIY-products, this leads to electricity savings of up to 94 %. You will protect the environment as well as your pocket. Besides the high energy efficiency, the NRG operators also convince due to their technical know-how. With the practical 3-button programming, you can carry out the programming of the operator quickly and easily. Additional features ensure the extremely high speed of movements, the optimum door adjustment and the smooth running.

## At a glance

- Certified CE
- Operator for up-and-over and sectional doors
- Suitable for doors up to 14 m<sup>2</sup>
- Combinable with all rails by TORMATIC
- Integrated LED lighting (1.6 W)
- Automatic close function can be adjusted



## The set

- Motor head
- Fitting for up-and-over and sectional doors
- 2x Design Transmitters
- UHF receiver module



## Simple usage and safety

The finger scanner offers you a maximum safety standard for your home. If necessary, you can save up to 99 finger prints. Entering your garage is easy and comfortable as never before. Furthermore, you must not keep in mind your codes anymore.

## Safe is safe

The integrated force control of the operators by Tormatic offers a high degree of safeness. In case of an obstacle, the operator stops immediately and opens the door again. In addition, a light beam can be installed, which identifies the obstacle immediately.

## The LED lighting

Due to the application of high-class 1.6 W LED lighting elements, the power consumption of the NRG operators is still decreased. The LED light bulbs stand for a long life cycle and a strong light intensity. Additionally you save the inconvenient changes of conventional light bulbs.

## Emergency release

In case of power failure, you have easy access to your garage by using the emergency release. Of course, the high safety standard completely remains. By using the attached keys, you can separate the operator from the door to open it manually.

## The comprehensive range of accessories

Not only high standards are met but there is also a particular focus on comfort and safety. Discover Tormatic's renowned quality, in which you can trust every day.



## Transmitters

MAX 43-4 (4-channel), MAX 43-2 (2-channel), Design Transmitter (3-channel)  
The transmitters and impulse generators work with 433 MHz and KeeLoq rolling code.

## Safety

Light Beam LS 5 Integrated, 2-wires, range 8 m, IP 45, 20-28 V AC/DC  
Emergency release: For double wing doors, with safety profile half cylinder

## Impulse generators

Digicode premium: External radio touch contact with metal keyboard  
Duocontrol: Internal radio touch contact, 4 minutes light, combinable with UHF KeeLoq transmitters

Technical data	W-800 / WB-800
Push & pull force	800 N
Mains supply	230 V / 50 Hz
Operating voltage	24V/DC
Power consumption	240 W
Stand-by power consumption	< 0,5 W
Running speed	17 cm/s up to max. 24 cm/s
Duty cycle	30 % ED
Temperature	- 20° C / + 60° C
Control unit	Micro-processor controlled Soft start / Soft stop Automatic close
Control sequence	1st impulse = Operator starts 2nd impulse = Operator stops 3rd impulse = Inversion of direction
Radio control	433 MHz, KeeLoq rolling code
Lighting	1.6 W LED
Lighting during operation	60 sec. factory-set
Additional features	Door-select, Ventilator function

# References







### The complete package from a single source.

Our production is controlled and in full accordance with strict European laws and norms. We guarantee the highest quality as we only accept components from trusted and preferred suppliers worldwide. In addition and to offer the complete assortment we have forged strategic partnerships with other like-minded producers of Industrial Doors. Uniquely and from a single source Alpha guarantees the complete package with the highest quality.

Sectional\_Garage\_Doors\_2020a\_GB



### Alpha deuren International BV

Pittelderstraat 10 ■ 6942 GJ Didam Netherlands

Telephone +31 316 228066 ■ Telefax +31 316 227662

info@alpha-deuren.nl ■ www.alpha-deuren.nl